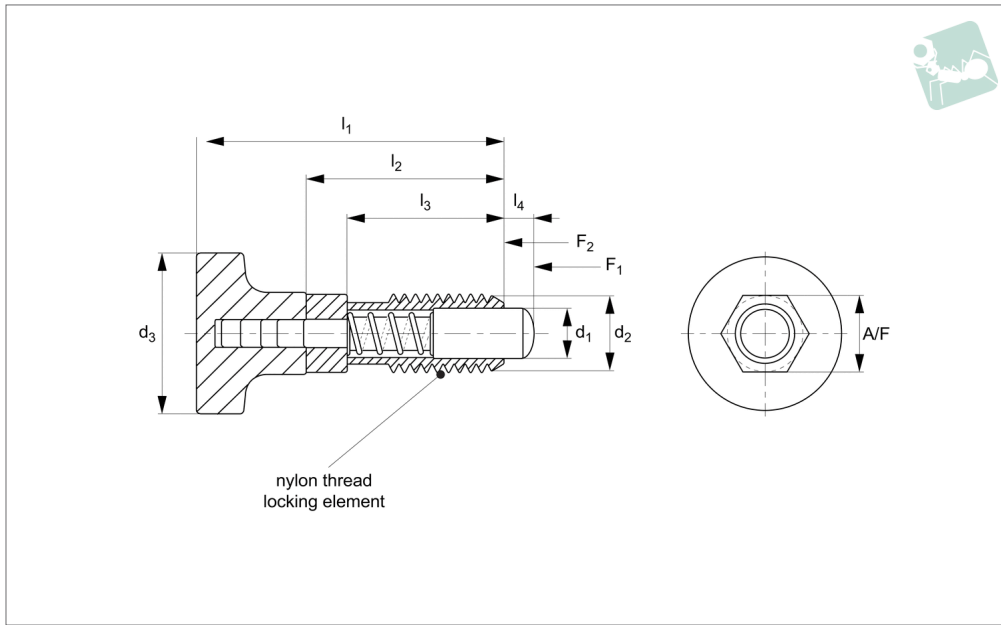




Spring Loaded Pin - Metric - Pull Grip non-locking

Spring Loaded Pins



SL1611

SPRING LOADED PINS

Material

Steel Type-

Body: Steel 12L14.

Pin: Steel case, hardened.

Grip: Thermoplastic, black.

Stainless Type-

Body: 300 series stainless steel.

Pin: 300 series stainless steel.

Grip: Thermoplastic, white.

Technical Notes

Spring loaded pin is non-locking, pin simply springs back when grip released.

A nylon locking element on thread reduces

chance of loosening of thread due to vibration etc.

Tips

Stainless steel type ideal for food and medical applications.

For suitable locknut, see part no. SL1810.

Order No.	Material	d ₁	d ₂ tol. 8g	l ₁	l ₂	l ₃	l ₄	d ₃	A/F	Spring load F ₁ N	Spring load F ₂ N
SL1611.M06-003-C	Steel	3	M 6 x 1,00	25	16	13	3	12	6	0.49	1.51
SL1611.M10-006-C	Steel	6	M10 x 1,50	38	25	20	5	19	10	0.98	8.99
SL1611.M12-008-C	Steel	8	M12 x 1,75	47	31	25	6	25	12	2.49	8.01
SL1611.M06-003-S	Stainless	3	M 6 x 1,00	25	16	13	3	12	6	0.49	1.51
SL1611.M10-006-S	Stainless	6	M10 x 1,50	38	25	20	5	19	10	0.98	8.99
SL1611.M12-008-S	Stainless	8	M12 x 1,75	47	31	25	6	25	12	2.49	8.01

Spring Loaded Pins

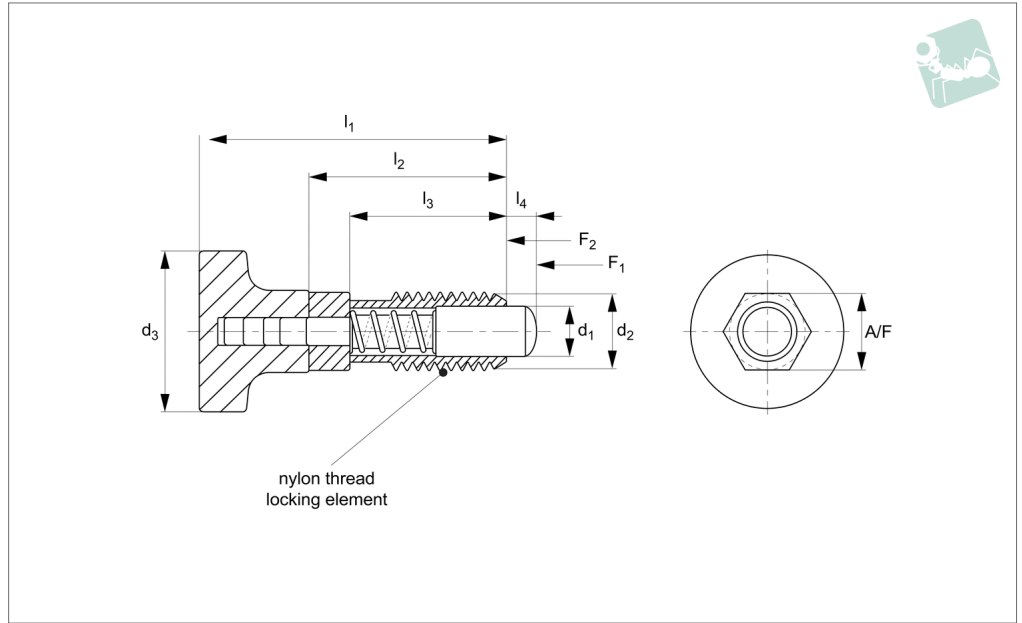
Spring Loaded Pin - Inch - Pull Grip non-locking



SPRING LOADED PINS



SL1616



Material

Steel Type-

Body: Steel 12L14.

Pin: Steel case hardened steel.

Grip: Thermoplastic, black.

Stainless Type-

Body: 300 series stainless steel.

Pin: 300 series stainless steel.

Grip: Thermoplastic, white.

Technical Notes

Spring loaded pin is non-locking, pin simply springs back when grip released.

A nylon locking element on thread reduces chance of loosening of thread due to vibra-

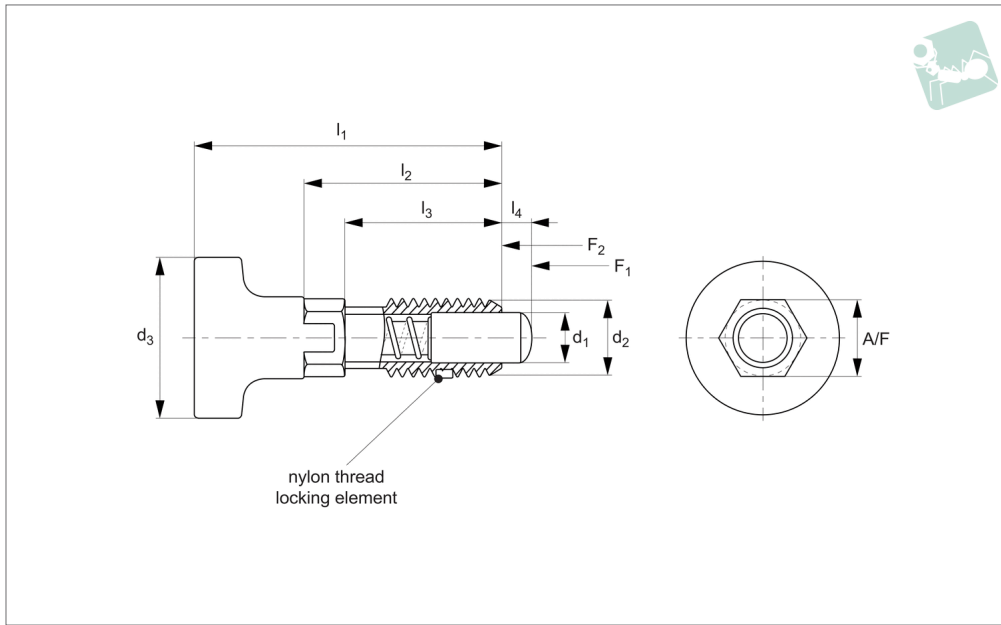
tion etc.

Tips

Stainless steel type ideal for food and medical applications.

For suitable locknut, see part no. SL1816.

Order No.	Material	d ₁	d ₃ UNC tol. 2A	l ₁	l ₂	l ₃	l ₄	d ₃	A/F	Spring load f ₁ lb	Spring load f ₂ lb
SL1616.I25-016-C	Steel	0.16	1/4-20	0.96	0.63	0.50	0.13	0.50	1/4	0.12	0.36
SL1616.I37-025-C	Steel	0.25	3/8-16	1.40	0.94	0.75	0.18	0.75	3/8	0.25	2.00
SL1616.I50-031-C	Steel	0.31	1/2-13	1.90	1.25	1.00	0.25	1.00	1/2	0.50	1.75
SL1616.I25-016-S	Stainless	0.16	1/4-20	0.96	0.63	0.50	0.13	0.50	1/4	0.12	0.36
SL1616.I37-025-S	Stainless	0.25	3/8-16	1.40	0.94	0.75	0.18	0.75	3/8	0.25	2.00
SL1616.I50-031-S	Stainless	0.31	1/2-13	1.90	1.25	1.00	0.25	1.00	1/2	0.50	1.75



SL1613

SPRING LOADED PINS

Material

Steel Type-

Body: Steel 12L14.
Pin: Case hardened steel.
Grip: Thermoplastic, black.

Stainless Steel Type-

Body: 300 series stainless steel.

Pin: 300 series stainless steel.
Grip: Thermoplastic, white.

Technical Notes

Spring loaded pin can be 'locked' to enable pin to be held in retracted/ non-projecting position. Pull back grip handle turn 90° to engage 'locking'.

A nylon locking element on thread reduces chance of loosening of thread due to vibration etc.

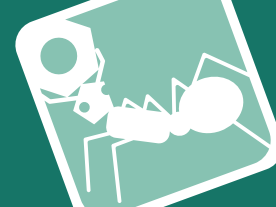
Tips

Stainless type ideal for food and medical applications.
For suitable locknut, see part no. SL1810.

Order No.	Material	d ₁	d ₂ tol. 8g	l ₁	l ₂	l ₃	l ₄	d ₃	A/F	Spring load F ₁ N	Spring load F ₂ N
SL1613.M06-003-C	Steel	3	M 6 x 1,00	25	19	13	3	12	6	0.49	1.51
SL1613.M10-006-C	Steel	6	M10 x 1,50	38	30	20	5	19	10	0.98	8.99
SL1613.M12-008-C	Steel	8	M12 x 1,75	47	37	25	6	25	12	2.49	8.01
SL1613.M06-003-S	Stainless	3	M 6 x 1,00	25	19	13	3	12	6	0.49	1.51
SL1613.M10-006-S	Stainless	6	M10 x 1,50	38	30	20	5	19	10	0.98	8.99
SL1613.M12-008-S	Stainless	8	M12 x 1,75	47	37	25	6	25	12	2.49	8.01

Spring Loaded Pins

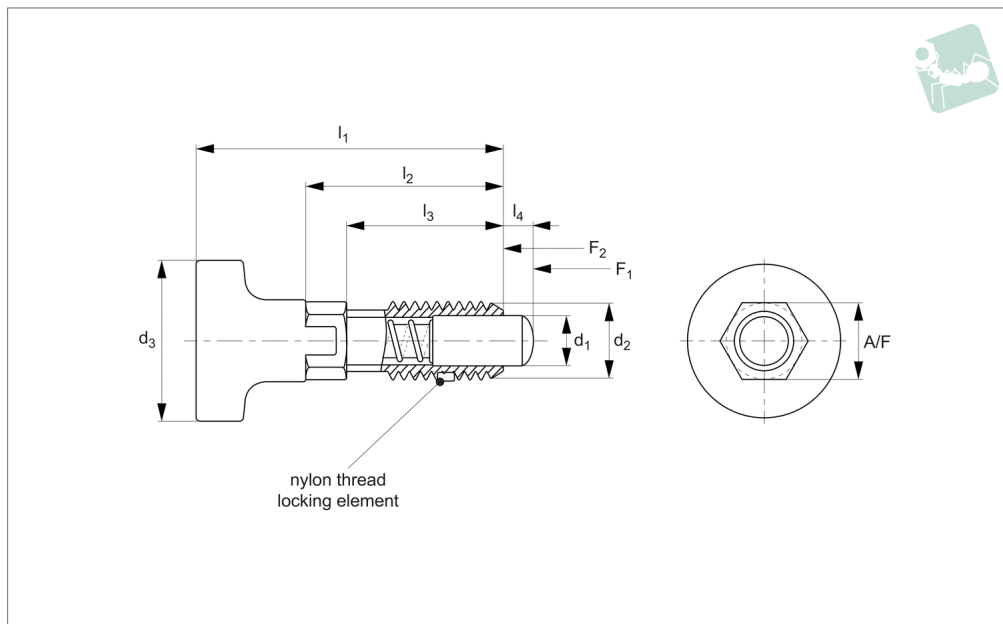
Spring Loaded Pin - Inch - Pull Grip locking



SPRING LOADED PINS



SL1618



Material

Steel Type-

Body: Steel 12L14.

Pin: Case hardened steel.

Grip: Thermoplastic, black.

Stainless Steel Type-

Body: 300 series stainless steel.

Pin: 300 stainless steel.

Grip: Thermoplastic, white.

Technical Notes

Spring loaded pin can be 'locked' to enable pin to be held in retracted/ non-projecting position. Pull back grip handle turn 90° to engage 'locking'.

A nylon locking element on thread reduces chance of loosening of thread due to vibration etc.

Tips

Stainless type ideal for food and medical applications.

For suitable locknut, see part no. SL1816.

Order No.	Material	d ₁	d ₂ UNC	l ₁	l ₂	l ₃	l ₄	d ₃	A/F	Spring force f ₁ lb	Spring force f ₂ lb
SL1618.I25-016-C	Steel	0.16	1/4-20	0.97	0.75	0.50	0.13	0.50	1/4	0.12	0.36
SL1618.I37-025-C	Steel	0.25	3/8-16	1.40	1.13	0.75	0.18	0.75	3/8	0.25	2.00
SL1618.I50-031-C	Steel	0.31	1/2-13	1.90	1.50	1.00	0.25	1.00	1/2	0.50	1.75
SL1618.I25-016-S	Stainless	0.16	1/4-20	0.97	0.75	0.50	0.13	0.50	1/4	0.12	0.36
SL1618.I37-025-S	Stainless	0.25	3/8-16	1.40	1.13	0.75	0.18	0.75	3/8	0.25	2.00
SL1618.I50-031-S	Stainless	0.31	1/2-13	1.90	1.50	1.00	0.25	1.00	1/2	0.50	1.75