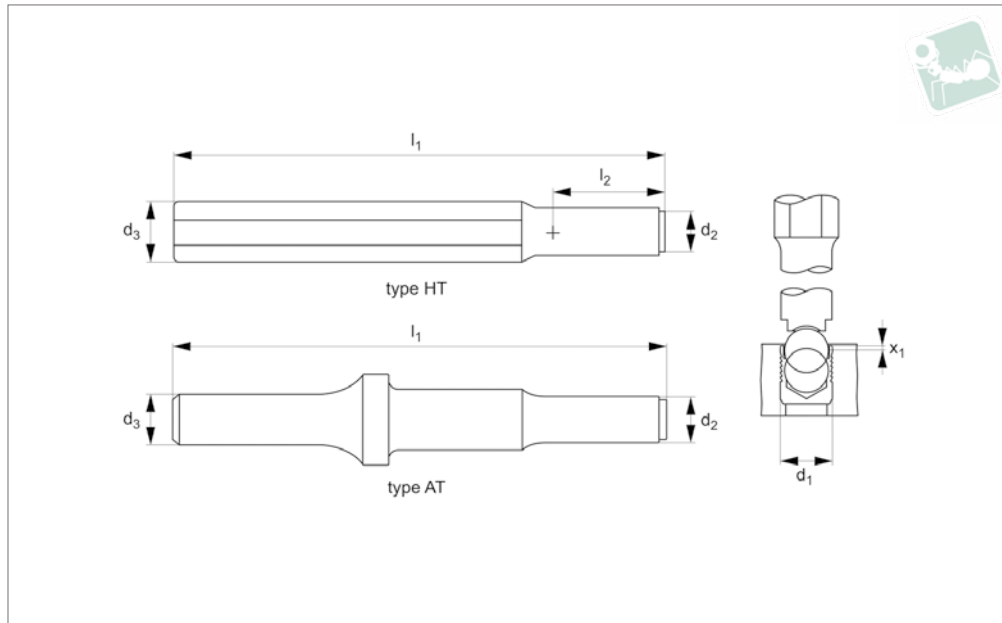




Setting Tool for Sealing Plugs for expansion plugs

Expansion
Sealing Plugs



SE0508

EXPANSION SEALING PLUGS

Material

Tool steel, heat-treated.

Technical Notes

Please consult technical pages for installa-

tion instructions and performance data.

Hand tool version and air tool (for multiple installations).

Ensure the ball is fully seated before

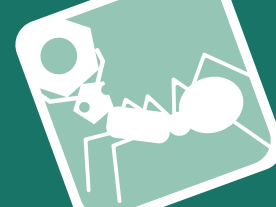
applying pressure.

Tips

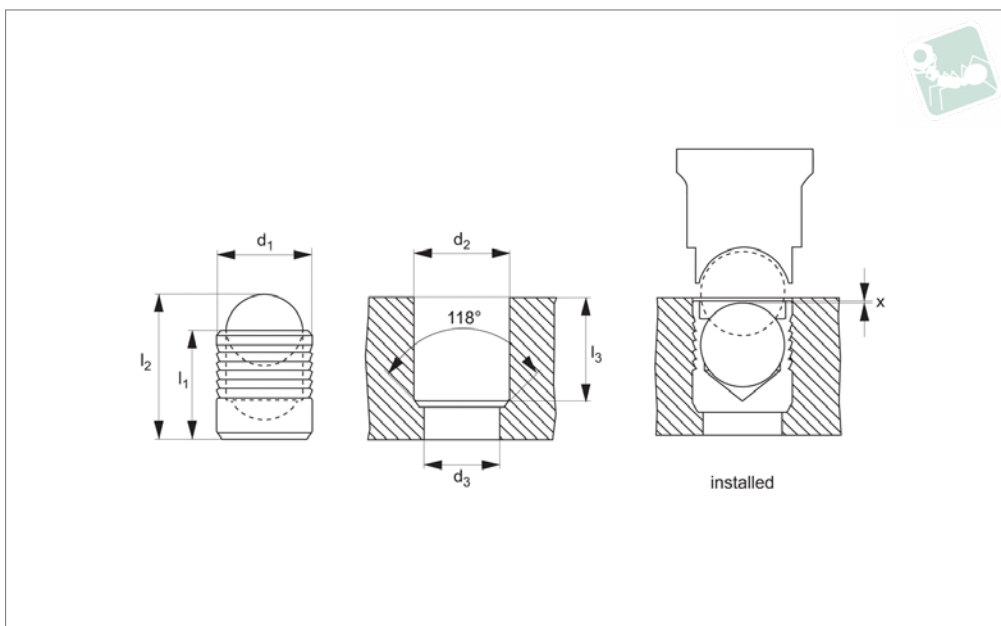
Metric dimensions in mm.

Inch dimensions in inches.

| Order No. | d ₁ | d ₂ | d ₃ | l ₁ | l ₂ | x ±0.2 | Type |
|--------------|----------------|----------------|----------------|----------------|----------------|-----------|------|
| SE0508.030-C | 3.0 | 2.8 | 9.53 | 127 | 10 | 0.4 | Hand |
| SE0508.040-C | 4.0 | 3.8 | 9.53 | 127 | 10 | 0.2 | Hand |
| SE0508.050-C | 5.0 | 4.7 | 9.53 | 127 | 12 | 0.4 | Hand |
| SE0508.060-C | 6.0 | 5.8 | 9.53 | 127 | 15 | 0.4 | Hand |
| SE0508.070-C | 7.0 | 6.8 | 9.53 | 127 | 18 | 0.4 | Hand |
| SE0508.080-C | 8.0 | 7.8 | 9.53 | 127 | 20 | 0.3 | Hand |
| SE0508.090-C | 9.0 | 8.7 | 15.88 | 127 | 22 | 0.4 | Hand |
| SE0508.100-C | 10.0 | 9.8 | 15.88 | 127 | 25 | 0.4 | Hand |
| SE0508.120-C | 12.0 | 11.7 | 15.88 | 127 | 30 | 0.4 | Hand |
| SE0508.140-C | 14.0 | 13.7 | 19.05 | 127 | 35 | 0.4 | Hand |
| SE0508.160-C | 16.0 | 15.7 | 19.05 | 127 | 40 | 0.6 | Hand |
| SE0508.180-C | 18.0 | 17.7 | 19.05 | 127 | 45 | 0.6 | Hand |
| SE0509.030-C | 3.0 | 2.8 | 10.19 | 100 | 0.4 | 0.4 | Air |
| SE0509.040-C | 4.0 | 3.8 | 10.19 | 100 | 0.2 | 0.2 | Air |
| SE0509.050-C | 5.0 | 4.7 | 10.19 | 100 | 0.4 | 0.4 | Air |
| SE0509.060-C | 6.0 | 5.8 | 10.19 | 100 | 0.4 | 0.4 | Air |
| SE0509.070-C | 7.0 | 6.8 | 10.19 | 100 | 0.4 | 0.4 | Air |
| SE0509.080-C | 8.0 | 7.8 | 10.19 | 100 | 0.3 | 0.3 | Air |
| SE0509.090-C | 9.0 | 8.7 | 10.19 | 100 | 0.4 | 0.4 | Air |
| SE0509.100-C | 10.0 | 9.8 | 10.19 | 100 | 0.4 | 0.4 | Air |
| SE0509.200-C | 20.0 | 19.7 | 10.19 | 100 | 0.8 | 0.8 | Air |
| SE0508.220-C | 22.0 | 21.7 | 10.19 | 100 | 0.8 | 0.8 | Air |



SE0501



Material

Plug body: case hardened steel (zinc-plated), stainless steel (A2, AISI 303 & A4 AISI 316) or aluminium (2024-T4).

Ball: heat-treated bearing steel or stainless steel (A2, AISI 303 & A4 AISI 316).

Technical Notes

These high pressure sealing plugs are used to blank off externally drilled holes for air

and gas.

No need for tapping, reaming, machining of O-ring grooves or the use of tapes or sealants.

Ensure the ball is fully seated before applying pressure.

Tips

Working pressure up to 450 bar (dependent on body material and material into which

installed).

Please consult technical pages for installation instructions and performance data.

Important Notes

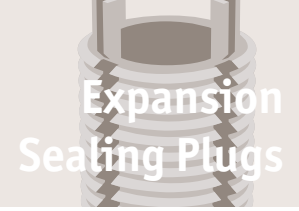
Please refer to technical pages for product installation details.

| Order No. | d ₁ | l ₁ | l ₂ | d ₂ +0.1 -0.0 | d ₃ max. | l ₃ min. | x ±0.2 | Body | Ball |
|-----------------|----------------|----------------|----------------|-----------------------------|------------------------|------------------------|-----------|----------|-------|
| SE0501.01-030-C | 3.0 | 3.6 | 4.6 | 3.0 | 2.2 | 3.4 | 0.4 | Steel ZP | Steel |
| SE0501.01-040-C | 4.0 | 4.0 | 5.2 | 4.0 | 3.3 | 3.8 | 0.2 | Steel ZP | Steel |
| SE0501.01-050-C | 5.0 | 5.5 | 7.1 | 5.0 | 4.3 | 5.3 | 0.4 | Steel ZP | Steel |
| SE0501.01-060-C | 6.0 | 6.5 | 8.7 | 6.0 | 5.3 | 6.3 | 0.4 | Steel ZP | Steel |
| SE0501.01-070-C | 7.0 | 7.5 | 10.2 | 7.0 | 6.4 | 7.3 | 0.4 | Steel ZP | Steel |
| SE0501.01-080-C | 8.0 | 8.5 | 11.6 | 8.0 | 7.4 | 8.3 | 0.3 | Steel ZP | Steel |
| SE0501.01-090-C | 9.0 | 10.0 | 13.6 | 9.0 | 8.4 | 9.8 | 0.4 | Steel ZP | Steel |
| SE0501.01-100-C | 10.0 | 11.0 | 15.2 | 10.0 | 9.4 | 10.8 | 0.4 | Steel ZP | Steel |
| SE0501.01-120-C | 12.0 | 13.0 | 17.9 | 12.0 | 10.6 | 12.8 | 0.4 | Steel ZP | Steel |
| SE0501.01-140-C | 14.0 | 15.0 | 20.6 | 14.0 | 12.7 | 14.5 | 0.4 | Steel ZP | Steel |
| SE0501.01-160-C | 16.0 | 17.0 | 23.4 | 16.0 | 14.7 | 16.5 | 0.6 | Steel ZP | Steel |
| SE0501.01-180-C | 18.0 | 19.0 | 26.4 | 18.0 | 16.7 | 18.5 | 0.6 | Steel ZP | Steel |
| SE0501.01-200-C | 20.0 | 22.0 | 30.1 | 20.0 | 18.7 | 21.5 | 0.8 | Steel ZP | Steel |
| SE0501.01-220-C | 22.0 | 25.0 | 34.0 | 22.0 | 20.7 | 24.5 | 0.8 | Steel ZP | Steel |
| SE0501.02-030-S | 3.0 | 3.6 | 4.6 | 3.0 | 2.2 | 3.4 | 0.4 | A2 s/s | Steel |
| SE0501.02-040-S | 4.0 | 4.0 | 5.2 | 4.0 | 3.3 | 3.8 | 0.2 | A2 s/s | Steel |
| SE0501.02-050-S | 5.0 | 5.5 | 7.1 | 5.0 | 4.3 | 5.3 | 0.4 | A2 s/s | Steel |
| SE0501.02-060-S | 6.0 | 6.5 | 8.7 | 6.0 | 5.3 | 6.3 | 0.4 | A2 s/s | Steel |
| SE0501.02-070-S | 7.0 | 7.5 | 10.2 | 7.0 | 6.4 | 7.3 | 0.4 | A2 s/s | Steel |
| SE0501.02-080-S | 8.0 | 8.5 | 11.6 | 8.0 | 7.4 | 8.3 | 0.3 | A2 s/s | Steel |
| SE0501.02-090-S | 9.0 | 10.0 | 13.6 | 9.0 | 8.4 | 9.8 | 0.4 | A2 s/s | Steel |
| SE0501.02-100-S | 10.0 | 11.0 | 15.2 | 10.0 | 9.4 | 10.8 | 0.4 | A2 s/s | Steel |
| SE0501.02-120-S | 12.0 | 13.0 | 17.9 | 12.0 | 10.6 | 12.8 | 0.4 | A2 s/s | Steel |
| SE0501.02-140-S | 14.0 | 15.0 | 20.6 | 14.0 | 12.7 | 14.5 | 0.4 | A2 s/s | Steel |
| SE0501.02-160-S | 16.0 | 17.0 | 23.4 | 16.0 | 14.7 | 16.5 | 0.6 | A2 s/s | Steel |
| SE0501.02-180-S | 18.0 | 19.0 | 26.4 | 18.0 | 16.7 | 18.5 | 0.6 | A2 s/s | Steel |
| SE0501.02-200-S | 20.0 | 22.0 | 30.1 | 20.0 | 18.7 | 21.5 | 0.8 | A2 s/s | Steel |
| SE0501.02-220-S | 22.0 | 25.0 | 34.0 | 22.0 | 20.7 | 24.5 | 0.8 | A2 s/s | Steel |



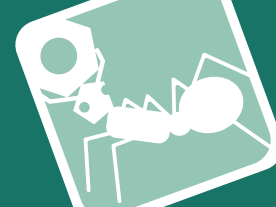
Expansion Sealing Plugs

Metric - standard

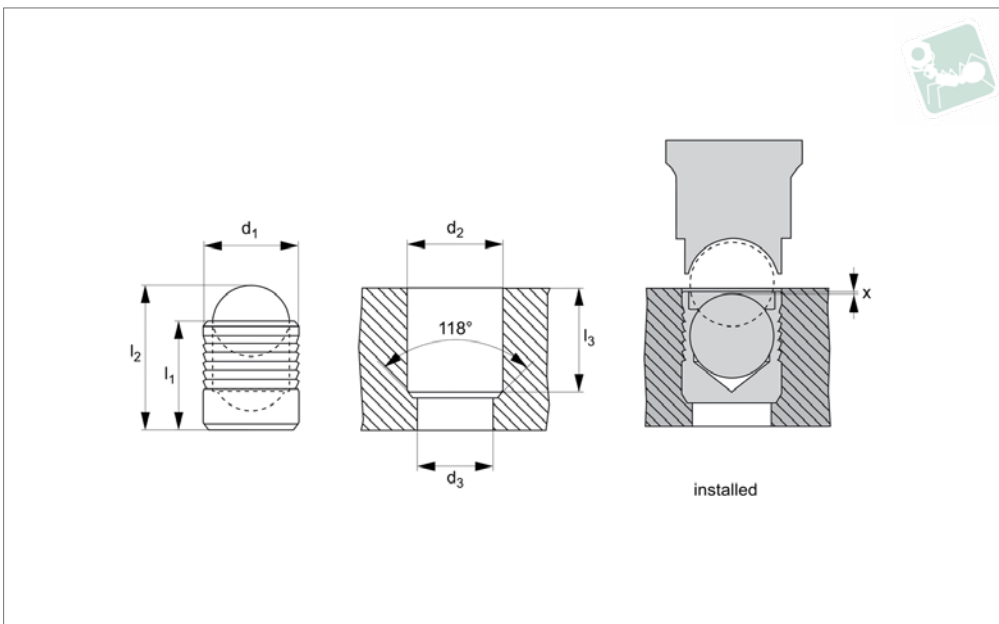


| Order No. | d ₁ | l ₁ | l ₂ | d ₂ +0.1 -0.0 | d ₃ max. | l ₃ min. | x ±0.2 | Body | Ball |
|-----------------|----------------|----------------|----------------|-----------------------------|------------------------|------------------------|-----------|-----------|--------|
| SE0501.04-030-T | 3.0 | 3.6 | 4.6 | 3.0 | 2.2 | 3.4 | 0.4 | A4 s/s | A4 s/s |
| SE0501.04-040-T | 4.0 | 4.0 | 5.2 | 4.0 | 3.3 | 3.8 | 0.2 | A4 s/s | A4 s/s |
| SE0501.04-050-T | 5.0 | 5.5 | 7.1 | 5.0 | 4.3 | 5.3 | 0.4 | A4 s/s | A4 s/s |
| SE0501.04-060-T | 6.0 | 6.5 | 8.7 | 6.0 | 5.3 | 6.3 | 0.4 | A4 s/s | A4 s/s |
| SE0501.04-070-T | 7.0 | 7.5 | 10.2 | 7.0 | 6.4 | 7.3 | 0.4 | A4 s/s | A4 s/s |
| SE0501.04-080-T | 8.0 | 8.5 | 11.6 | 8.0 | 7.4 | 8.3 | 0.3 | A4 s/s | A4 s/s |
| SE0501.04-090-T | 9.0 | 10.0 | 13.6 | 9.0 | 8.4 | 9.8 | 0.4 | A4 s/s | A4 s/s |
| SE0501.04-100-T | 10.0 | 11.0 | 15.2 | 10.0 | 9.4 | 10.8 | 0.4 | A4 s/s | A4 s/s |
| SE0501.04-120-T | 12.0 | 13.0 | 17.9 | 12.0 | 10.6 | 12.8 | 0.4 | A4 s/s | A4 s/s |
| SE0501.04-140-T | 14.0 | 15.0 | 20.6 | 14.0 | 12.7 | 14.5 | 0.4 | A4 s/s | A4 s/s |
| SE0501.04-160-T | 16.0 | 17.0 | 23.4 | 16.0 | 14.7 | 16.5 | 0.6 | A4 s/s | A4 s/s |
| SE0501.04-180-T | 18.0 | 19.0 | 26.4 | 18.0 | 16.7 | 18.5 | 0.6 | A4 s/s | A4 s/s |
| SE0501.04-200-T | 20.0 | 22.0 | 30.1 | 20.0 | 18.7 | 21.5 | 0.8 | A4 s/s | A4 s/s |
| SE0501.04-220-T | 22.0 | 25.0 | 34.0 | 22.0 | 20.7 | 24.5 | 0.8 | A4 s/s | A4 s/s |
| SE0501.05-030-A | 3.0 | 3.6 | 4.6 | 3.0 | 2.2 | 3.4 | 0.4 | Aluminium | A2 s/s |
| SE0501.05-040-A | 4.0 | 4.0 | 5.2 | 4.0 | 3.3 | 3.8 | 0.2 | Aluminium | A2 s/s |
| SE0501.05-050-A | 5.0 | 5.5 | 7.1 | 5.0 | 4.3 | 5.3 | 0.4 | Aluminium | A2 s/s |
| SE0501.05-060-A | 6.0 | 6.5 | 8.7 | 6.0 | 5.3 | 6.3 | 0.4 | Aluminium | A2 s/s |
| SE0501.05-070-A | 7.0 | 7.5 | 10.2 | 7.0 | 6.4 | 7.3 | 0.4 | Aluminium | A2 s/s |
| SE0501.05-080-A | 8.0 | 8.5 | 11.6 | 8.0 | 7.4 | 8.3 | 0.3 | Aluminium | A2 s/s |
| SE0501.05-090-A | 9.0 | 10.0 | 13.6 | 9.0 | 8.4 | 9.8 | 0.4 | Aluminium | A2 s/s |
| SE0501.05-100-A | 10.0 | 11.0 | 15.2 | 10.0 | 9.4 | 10.8 | 0.4 | Aluminium | A2 s/s |
| SE0501.05-120-A | 12.0 | 13.0 | 17.9 | 12.0 | 10.6 | 12.8 | 0.4 | Aluminium | A2 s/s |
| SE0501.05-140-A | 14.0 | 15.0 | 20.6 | 14.0 | 12.7 | 14.5 | 0.4 | Aluminium | A2 s/s |
| SE0501.05-160-A | 16.0 | 17.0 | 23.4 | 16.0 | 14.7 | 16.5 | 0.6 | Aluminium | A2 s/s |
| SE0501.05-180-A | 18.0 | 19.0 | 26.4 | 18.0 | 16.7 | 18.5 | 0.6 | Aluminium | A2 s/s |
| SE0501.05-200-A | 20.0 | 22.0 | 30.1 | 20.0 | 18.7 | 21.5 | 0.8 | Aluminium | A2 s/s |
| SE0501.05-220-A | 22.0 | 25.0 | 34.0 | 22.0 | 20.7 | 24.5 | 0.8 | Aluminium | A2 s/s |
| SE0501.03-030-S | 3.0 | 3.6 | 4.6 | 3.0 | 2.2 | 3.4 | 0.4 | A2 s/s | A2 s/s |
| SE0501.03-040-S | 4.0 | 4.0 | 5.2 | 4.0 | 3.3 | 3.8 | 0.2 | A2 s/s | A2 s/s |
| SE0501.03-050-S | 5.0 | 5.5 | 7.1 | 5.0 | 4.3 | 5.3 | 0.4 | A2 s/s | A2 s/s |
| SE0501.03-060-S | 6.0 | 6.5 | 8.7 | 6.0 | 5.3 | 6.3 | 0.4 | A2 s/s | A2 s/s |
| SE0501.03-070-S | 7.0 | 7.5 | 10.2 | 7.0 | 6.4 | 7.3 | 0.4 | A2 s/s | A2 s/s |
| SE0501.03-080-S | 8.0 | 8.5 | 11.6 | 8.0 | 7.4 | 8.3 | 0.3 | A2 s/s | A2 s/s |
| SE0501.03-090-S | 9.0 | 10.0 | 13.6 | 9.0 | 8.4 | 9.8 | 0.4 | A2 s/s | A2 s/s |
| SE0501.03-100-S | 10.0 | 11.0 | 15.2 | 10.0 | 9.4 | 10.8 | 0.4 | A2 s/s | A2 s/s |
| SE0501.03-120-S | 12.0 | 13.0 | 17.9 | 12.0 | 10.6 | 12.8 | 0.4 | A2 s/s | A2 s/s |
| SE0501.03-140-S | 14.0 | 15.0 | 20.6 | 14.0 | 12.7 | 14.5 | 0.4 | A2 s/s | A2 s/s |
| SE0501.03-160-S | 16.0 | 17.0 | 23.4 | 16.0 | 14.7 | 16.5 | 0.6 | A2 s/s | A2 s/s |
| SE0501.03-180-S | 18.0 | 19.0 | 26.4 | 18.0 | 16.7 | 18.5 | 0.6 | A2 s/s | A2 s/s |
| SE0501.03-200-S | 20.0 | 22.0 | 30.1 | 20.0 | 18.7 | 21.5 | 0.8 | A2 s/s | A2 s/s |
| SE0501.03-220-S | 22.0 | 25.0 | 34.0 | 22.0 | 20.7 | 24.5 | 0.8 | A2 s/s | A2 s/s |

EXPANSION SEALING PLUGS



SE0505



Material

Plug body: case hardened steel (zinc-plated), stainless steel (A2, AISI 303 & A4 AISI 316) or aluminium (2024-T4).

Ball: heat-treated bearing steel or stainless steel (A2, AISI 303 & A4 AISI 316).

Technical Notes

These high pressure sealing plugs are used to blank off externally drilled holes for air

and gas.

No need for tapping, reaming, machining of O-ring grooves or the use of tapes or sealants.

Ensure the ball is fully seated before applying pressure.

Dimensions in inches.

Tips

Working pressure up to 450 bar (dependent

on body material and material into which installed).

Please consult technical pages for installation instructions and performance data.

Important Notes

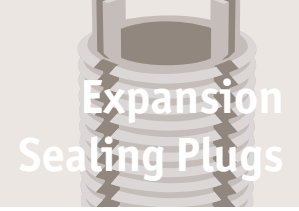
Please refer to technical pages for product installation details.

| Order No. | d ₁ | l ₁ | l ₂ | d ₂ +0.004 -0.000 | d ₃ max. | l ₃ min. | x +0.0 -0.010 | Body | Ball |
|-----------------|----------------|----------------|----------------|---------------------------------|------------------------|------------------------|------------------|----------|--------|
| SE0505.01-093-C | 0.0937 | 0.098 | 0.12 | 0.0937 | 0.070 | 0.081 | 0.010 | Steel ZP | Steel |
| SE0505.01-125-C | 0.1250 | 0.125 | 0.16 | 0.1250 | 0.100 | 0.113 | 0.010 | Steel ZP | Steel |
| SE0505.01-156-C | 0.1562 | 0.125 | 0.17 | 0.1562 | 0.130 | 0.113 | 0.010 | Steel ZP | Steel |
| SE0505.01-187-C | 0.1875 | 0.187 | 0.24 | 0.1875 | 0.160 | 0.170 | 0.010 | Steel ZP | Steel |
| SE0505.01-218-C | 0.2187 | 0.187 | 0.25 | 0.2187 | 0.190 | 0.170 | 0.010 | Steel ZP | Steel |
| SE0505.01-250-C | 0.2500 | 0.225 | 0.30 | 0.2500 | 0.220 | 0.196 | 0.010 | Steel ZP | Steel |
| SE0505.01-281-C | 0.2812 | 0.225 | 0.35 | 0.2812 | 0.250 | 0.233 | 0.010 | Steel ZP | Steel |
| SE0505.01-312-C | 0.3125 | 0.280 | 0.39 | 0.3125 | 0.281 | 0.255 | 0.010 | Steel ZP | Steel |
| SE0505.01-343-C | 0.3437 | 0.307 | 0.43 | 0.3437 | 0.312 | 0.275 | 0.010 | Steel ZP | Steel |
| SE0505.01-406-C | 0.4062 | 0.365 | 0.52 | 0.4062 | 0.375 | 0.308 | 0.010 | Steel ZP | Steel |
| SE0505.02-093-S | 0.0937 | 0.098 | 0.12 | 0.0937 | 0.070 | 0.081 | 0.010 | A2 s/s | Steel |
| SE0505.02-125-S | 0.1250 | 0.125 | 0.16 | 0.1250 | 0.100 | 0.113 | 0.010 | A2 s/s | Steel |
| SE0505.02-156-S | 0.1562 | 0.125 | 0.17 | 0.1562 | 0.130 | 0.113 | 0.010 | A2 s/s | Steel |
| SE0505.02-187-S | 0.1875 | 0.187 | 0.24 | 0.1875 | 0.160 | 0.170 | 0.010 | A2 s/s | Steel |
| SE0505.02-218-S | 0.2187 | 0.187 | 0.25 | 0.2187 | 0.190 | 0.170 | 0.010 | A2 s/s | Steel |
| SE0505.02-250-S | 0.2500 | 0.225 | 0.30 | 0.2500 | 0.220 | 0.196 | 0.010 | A2 s/s | Steel |
| SE0505.02-281-S | 0.2812 | 0.225 | 0.35 | 0.2812 | 0.250 | 0.233 | 0.010 | A2 s/s | Steel |
| SE0505.02-312-S | 0.3125 | 0.280 | 0.39 | 0.3125 | 0.281 | 0.255 | 0.010 | A2 s/s | Steel |
| SE0505.02-343-S | 0.3437 | 0.307 | 0.43 | 0.3437 | 0.312 | 0.275 | 0.010 | A2 s/s | Steel |
| SE0505.02-406-S | 0.4062 | 0.365 | 0.52 | 0.4062 | 0.375 | 0.308 | 0.010 | A2 s/s | Steel |
| SE0505.03-093-S | 0.0937 | 0.098 | 0.12 | 0.0937 | 0.070 | 0.081 | 0.010 | A2 s/s | A2 s/s |
| SE0505.03-125-S | 0.1250 | 0.125 | 0.16 | 0.1250 | 0.100 | 0.113 | 0.010 | A2 s/s | A2 s/s |
| SE0505.03-156-S | 0.1562 | 0.125 | 0.17 | 0.1562 | 0.130 | 0.113 | 0.010 | A2 s/s | A2 s/s |
| SE0505.03-187-S | 0.1875 | 0.187 | 0.24 | 0.1875 | 0.160 | 0.170 | 0.010 | A2 s/s | A2 s/s |
| SE0505.03-218-S | 0.2187 | 0.187 | 0.25 | 0.2187 | 0.190 | 0.170 | 0.010 | A2 s/s | A2 s/s |
| SE0505.03-250-S | 0.2500 | 0.225 | 0.30 | 0.2500 | 0.220 | 0.196 | 0.010 | A2 s/s | A2 s/s |
| SE0505.03-281-S | 0.2812 | 0.225 | 0.35 | 0.2812 | 0.250 | 0.233 | 0.010 | A2 s/s | A2 s/s |
| SE0505.03-312-S | 0.3125 | 0.280 | 0.39 | 0.3125 | 0.281 | 0.255 | 0.010 | A2 s/s | A2 s/s |



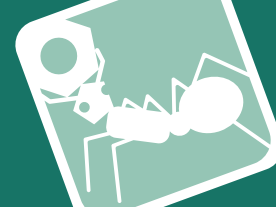
Expansion Sealing Plugs - Inch

Inch - short

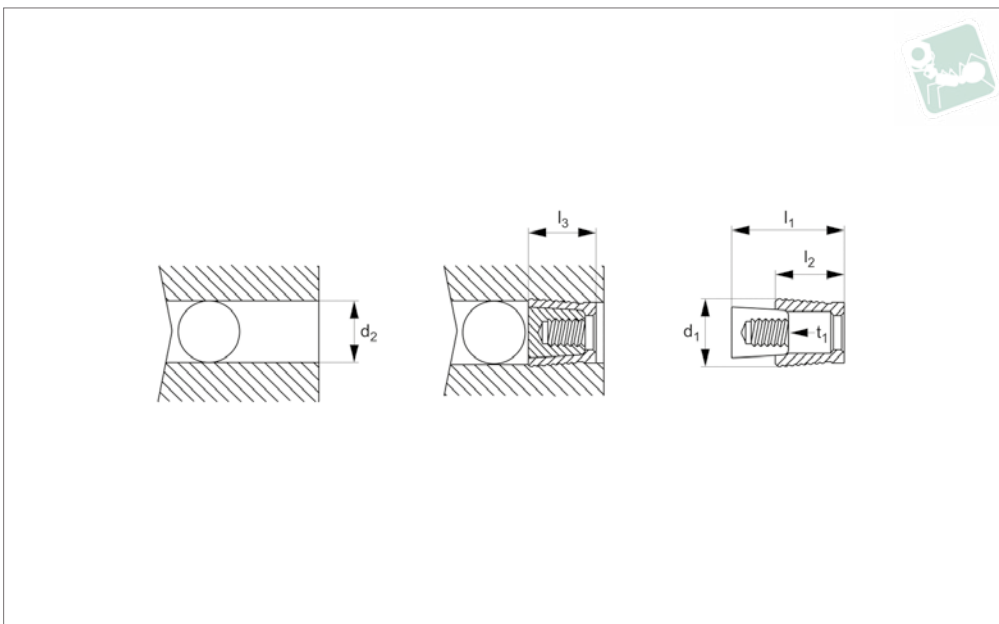


| Order No. | d ₁ | l ₁ | l ₂ | d ₂ +0.004 -0.000 | d ₃ max. | l ₃ min. | x +0.0 -0.010 | Body | Ball |
|-----------------|----------------|----------------|----------------|---------------------------------|------------------------|------------------------|------------------|-----------|--------|
| SE0505.03-343-S | 0.3437 | 0.307 | 0.43 | 0.3437 | 0.312 | 0.275 | 0.010 | A2 s/s | A2 s/s |
| SE0505.03-406-S | 0.4062 | 0.365 | 0.52 | 0.4062 | 0.375 | 0.308 | 0.010 | A2 s/s | A2 s/s |
| SE0505.04-125-T | 0.1250 | 0.125 | 0.16 | 0.1250 | 0.100 | 0.113 | 0.010 | A4 s/s | A4 s/s |
| SE0505.04-156-T | 0.1562 | 0.125 | 0.17 | 0.1562 | 0.130 | 0.113 | 0.010 | A4 s/s | A4 s/s |
| SE0505.04-187-T | 0.1875 | 0.187 | 0.24 | 0.1875 | 0.160 | 0.170 | 0.010 | A4 s/s | A4 s/s |
| SE0505.04-218-T | 0.2187 | 0.187 | 0.25 | 0.2187 | 0.190 | 0.170 | 0.010 | A4 s/s | A4 s/s |
| SE0505.04-250-T | 0.2500 | 0.225 | 0.30 | 0.2500 | 0.220 | 0.196 | 0.010 | A4 s/s | A4 s/s |
| SE0505.04-281-T | 0.2812 | 0.225 | 0.35 | 0.2812 | 0.250 | 0.233 | 0.010 | A4 s/s | A4 s/s |
| SE0505.04-312-T | 0.3125 | 0.280 | 0.39 | 0.3125 | 0.281 | 0.255 | 0.010 | A4 s/s | A4 s/s |
| SE0505.04-343-T | 0.3437 | 0.307 | 0.43 | 0.3437 | 0.312 | 0.275 | 0.010 | A4 s/s | A4 s/s |
| SE0505.04-406-T | 0.4062 | 0.365 | 0.52 | 0.4062 | 0.375 | 0.308 | 0.010 | A4 s/s | A4 s/s |
| SE0505.05-125-A | 0.1250 | 0.125 | 0.16 | 0.1250 | 0.100 | 0.113 | 0.010 | Aluminium | A2 s/s |
| SE0505.05-156-A | 0.1562 | 0.125 | 0.17 | 0.1562 | 0.130 | 0.113 | 0.010 | Aluminium | A2 s/s |
| SE0505.05-187-A | 0.1875 | 0.187 | 0.24 | 0.1875 | 0.160 | 0.170 | 0.010 | Aluminium | A2 s/s |
| SE0505.05-218-A | 0.2187 | 0.187 | 0.25 | 0.2187 | 0.190 | 0.170 | 0.010 | Aluminium | A2 s/s |
| SE0505.05-250-A | 0.2500 | 0.225 | 0.30 | 0.2500 | 0.220 | 0.196 | 0.010 | Aluminium | A2 s/s |
| SE0505.05-281-A | 0.2812 | 0.225 | 0.35 | 0.2812 | 0.250 | 0.233 | 0.010 | Aluminium | A2 s/s |
| SE0505.05-312-A | 0.3125 | 0.280 | 0.39 | 0.3125 | 0.281 | 0.255 | 0.010 | Aluminium | A2 s/s |
| SE0505.05-343-A | 0.3437 | 0.307 | 0.43 | 0.3437 | 0.312 | 0.275 | 0.010 | Aluminium | A2 s/s |
| SE0505.05-406-A | 0.4062 | 0.365 | 0.52 | 0.4062 | 0.375 | 0.308 | 0.010 | Aluminium | A2 s/s |

EXPANSION SEALING PLUGS



SE0522



Material

Sleeve: case-hardened steel, black oxide finish.

Pin: heat-treatable steel, black oxide finish.

Technical Notes

These high pressure sealing plugs are used

to blank off externally drilled holes for air and gas.

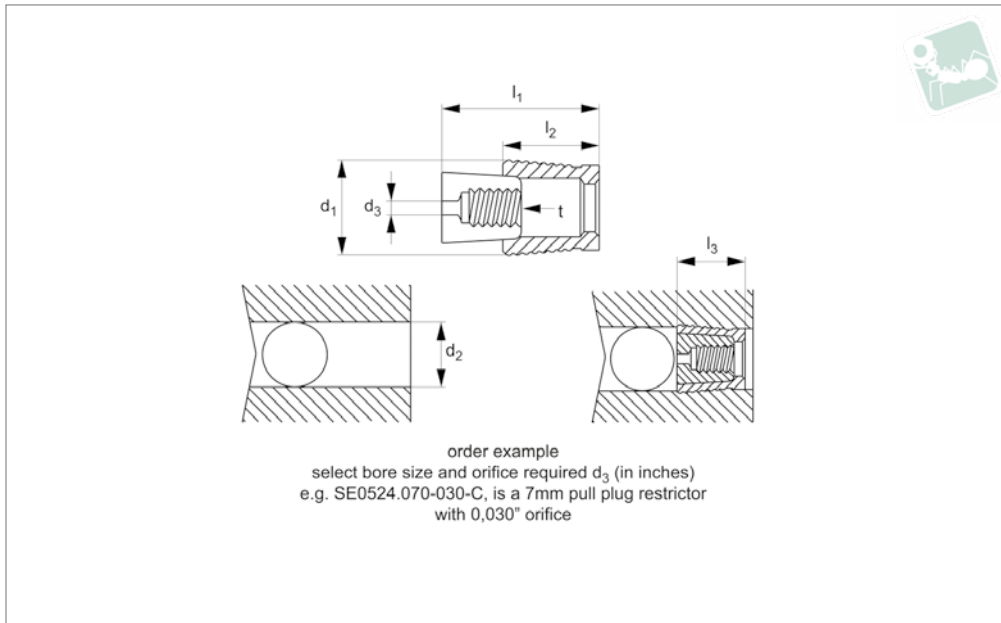
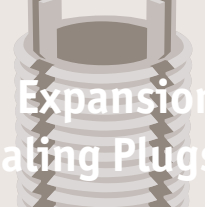
No need for tapping, reaming, machining of O-ring grooves or the use of tapes or sealants.

product installation details.

Important Notes

Please refer to technical pages for

| Order No. | d ₁ | d ₂ +0.1 -0.0 | l ₁ | l ₂ | l ₃ | t ₁ |
|--------------|----------------|-----------------------------|----------------|----------------|----------------|----------------|
| SE0522.070-C | 7.0 | 7.0 | 13.0 | 7.5 | 8.0 | 4-40 UNC |
| SE0522.080-C | 8.0 | 8.0 | 14.0 | 8.5 | 9.0 | 6-32 UNC |
| SE0522.090-C | 9.0 | 9.0 | 16.0 | 9.5 | 10.0 | 8-32 UNC |
| SE0522.100-C | 10.0 | 10.0 | 18.0 | 10.5 | 11.0 | 10-32 UNC |
| SE0522.120-C | 12.0 | 12.0 | 21.0 | 12.5 | 13.0 | 10-32 UNC |
| SE0522.140-C | 14.0 | 14.0 | 25.0 | 14.5 | 15.0 | 1/4-20 UNC |
| SE0522.160-C | 16.0 | 16.0 | 28.0 | 16.5 | 17.0 | 1/4-20 UNC |
| SE0522.180-C | 18.0 | 18.0 | 31.5 | 18.5 | 19.0 | 5/16-18 UNC |
| SE0522.200-C | 20.0 | 20.0 | 35.0 | 20.5 | 21.0 | 3/8-16 UNC |
| SE0522.220-C | 22.0 | 22.0 | 38.5 | 22.5 | 23.0 | 3/8-16 UNC |



SE0524

EXPANSION SEALING PLUGS

Material

Sleeve: case-hardened steel, black oxide finish.

Pin: heat-treatable steel, black oxide finish.

Technical Notes

To order please specify orifice size d_3

required (-xxx) and add to order no.

Ordering example:

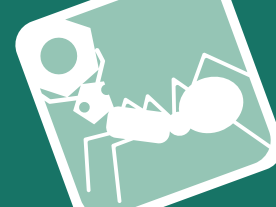
Select the bore size and d_3 required (in inches).

eg. SE0524-070-030 is a 7mm pull plug restrictor with 0.030" orifice.

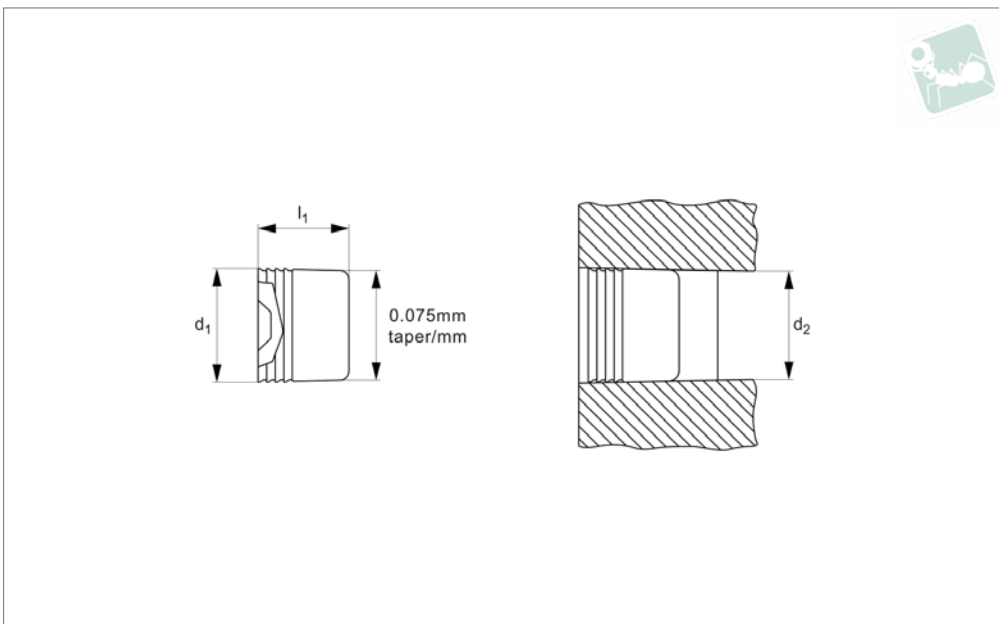
Important Notes

Please refer to technical pages for product installation details.

| Order No. | d_1 | l_1 | l_2 | d_2 +0.1 -0.0 | l_3 | d_3 inch | t |
|------------------|-------|-------|-------|--------------------|-------|---------------|-------------|
| SE0524.070-XXX-C | 7.0 | 13.0 | 7.5 | 7.0 | 8.0 | 0,012-0,13 | 4-40 UNC |
| SE0524.080-XXX-C | 8.0 | 14.0 | 8.5 | 8.0 | 9.0 | 0,012-0,15 | 6-32 UNC |
| SE0524.090-XXX-C | 9.0 | 16.0 | 9.5 | 9.0 | 10.0 | 0,012-0,17 | 8-32 UNC |
| SE0524.100-XXX-C | 10.0 | 18.0 | 10.5 | 10.0 | 11.0 | 0,012-0,20 | 10-32 UNC |
| SE0524.120-XXX-C | 12.0 | 21.0 | 12.5 | 12.0 | 13.0 | 0,012-0,24 | 10-32 UNC |
| SE0524.140-XXX-C | 14.0 | 25.0 | 14.5 | 14.0 | 15.0 | 0,012-0,28 | 1/4-20 UNC |
| SE0524.160-XXX-C | 16.0 | 28.0 | 16.5 | 16.0 | 17.0 | 0,012-0,30 | 1/4-20 UNC |
| SE0524.180-XXX-C | 18.0 | 31.5 | 18.5 | 18.0 | 19.0 | 0,012-0,35 | 5/16-18 UNC |
| SE0524.200-XXX-C | 20.0 | 35.0 | 20.5 | 20.0 | 21.0 | 0,012-0,40 | 3/8-16 UNC |
| SE0524.220-XXX-C | 22.0 | 38.5 | 22.5 | 22.0 | 23.0 | 0,012-0,43 | 3/8-16 UNC |



SE0526



Material
Aluminium (6061).

a 0.075mm/mm taper over their length.
Burst pressure 35 bar (500 psi).

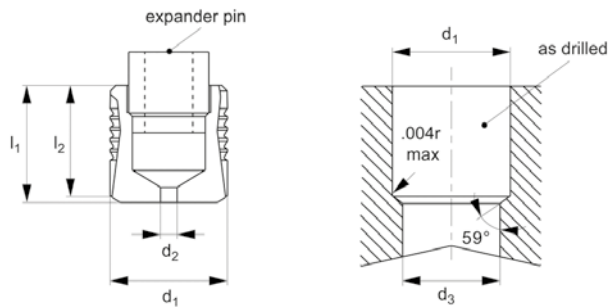
Technical Notes

These are high pressure sealing plugs with

| Order No. | d ₁ | d ₂ max. | l ₁ | Size |
|--------------|----------------|------------------------|----------------|------|
| SE0526.070-A | 7.01 | 6.50 | 5.5 | 7 |
| SE0526.090-A | 9.01 | 8.38 | 5.5 | 9 |

Expansion Restrictors

Expansion Sealing Plugs



order example
select bore size and orifice required d_2 (in inches)
e.g. SE0528.090-015-S, is a 9mm expansion restrictor
with 0.015" orifice



SE0528

EXPANSION SEALING PLUGS

Material

A2 Stainless steel.
Calibrated hole diameter (d_2).

Technical Notes

For restricting flow.
To order please specify orifice size d_2
required (-xxx) and add to order number.

Ordering example:

Select size required then add -xxx which
indicate reduced hole diameter (d_2), eg
SE0528.090-015-S indicated a 9mm bore
size with a 0.015" orifice.

Tips

Metric dimensions in mm.

Imperial dimensions in inches. (Length
Tolerance $\pm 0,006$)

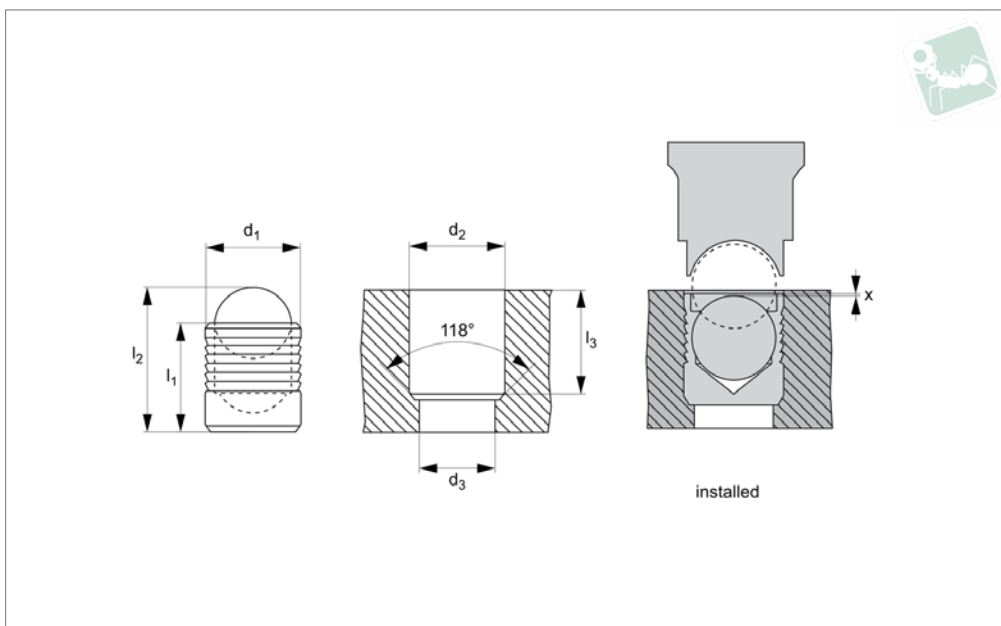
Important Notes

Please refer to technical pages for
product installation details.

| Order No. | d_1 +0 | l_1 $\pm 0,010$ | l_2 $\pm 0,010$ | d_2 $\pm 0,001$ | d_3 $\pm 0,010$ | l_3 min. | d_4 max. |
|------------------|--------------------|----------------------|----------------------|----------------------|----------------------|---------------|---------------|
| SE0528.040-XXX-S | 4,00 | 4.0 | 3.7 | 0,012-0,015" | 4.00 | 3.8 | 3.3 |
| SE0528.050-XXX-S | 5,00 -0,030 | 5.0 | 5.2 | 0,012-0,075" | 5.00 | 5.3 | 4.3 |
| SE0528.060-XXX-S | 6,00 -0,030 | 6.0 | 6.2 | 0,012-0,100" | 6.00 | 6.3 | 5.3 |
| SE0528.070-XXX-S | 7,00 -0,036 | 7.0 | 7.2 | 0,012-0,130" | 7.00 | 7.3 | 6.2 |
| SE0528.080-XXX-S | 8,00 -0,036 | 8.0 | 8.2 | 0,012-0,150" | 8.00 | 8.3 | 7.2 |
| SE0528.090-XXX-S | 9,00 -0,036 | 9.0 | 9.70 | 0,012-0,170" | 9.00 | 9.8 | 8.2 |
| SE0528.100-XXX-S | 10,00 -0,036 | 10.0 | 10.70 | 0,012-0,195" | 10.00 | 10.8 | 9.2 |
| SE0528.120-XXX-S | 12,00 -0,043 | 12.0 | 12.70 | 0,012-0,240" | 12.00 | 12.8 | 11.0 |
| SE0528.140-XXX-S | 14,00 -0,043 | 14.0 | 14.40 | 0,012-0,280" | 14.00 | 14.5 | 13.0 |
| SE0528.156-XXX-S | 0,1562 -0,0012" | 0,161" | 0,149" | 0,012-0,050" | 0,1562" | 0,149" | 0,130" |
| SE0528.187-XXX-S | 0,1875 -0,0012" | 0,220" | 0,208" | 0,012-0,070" | 0,1875" | 0,208" | 0,160" |
| SE0528.218-XXX-S | 0,2187 -0,0012" | 0,220" | 0,208" | 0,012-0,085" | 0,2187" | 0,208" | 0,190" |
| SE0528.250-XXX-S | 0,2500 -0,0012" | 0,259" | 0,247" | 0,012-0,105" | 0,2500" | 0,247" | 0,220" |
| SE0528.281-XXX-S | 0,2817 -0,0014" | 0,299" | 0,287" | 0,012-0,130" | 0,2812" | 0,287" | 0,250" |
| SE0528.312-XXX-S | 0,3125 -0,0014" | 0,338" | 0,326" | 0,012-0,150" | 0,3125" | 0,326" | 0,281" |
| SE0528.343-XXX-S | 0,3437 -0,0014" | 0,397" | 0,385" | 0,012-0,160" | 0,3437" | 0,385" | 0,312" |
| SE0528.375-XXX-S | 0,3750 -0,0014" | 0,397" | 0,385" | 0,012-0,180" | 0,3750" | 0,385" | 0,343" |
| SE0528.406-XXX-S | 0,4062 -0,0014" | 0,437" | 0,425" | 0,012-0,195" | 0,4062" | 0,425" | 0,375" |
| SE0528.437-XXX-S | 0,4375 -0,0014" | 0,515" | 0,503" | 0,012-0,220" | 0,4375" | 0,503" | 0,406" |
| SE0528.468-XXX-S | 0,4687 -0,0017" | 0,515" | 0,503" | 0,012-0,240" | 0,4687" | 0,503" | 0,437" |
| SE0528.562-XXX-S | 0,5625 -0,0017" | 0,594" | 0,570" | 0,012-0,290" | 0,5625" | 0,570" | 0,510" |



SE0507



Material

Plug body: case hardened steel (zinc-plated), stainless steel (A2, AISI 303 & A4 AISI 316) or aluminium (2024-T4).

Ball: heat-treated bearing steel or stainless steel (A2, AISI 303 & A4 AISI 316).

Technical Notes

These high pressure sealing plugs are used to blank off externally drilled holes for air

and gas.

No need for tapping, reaming, machining of O-ring grooves or the use of tapes or sealants.

Ensure the ball is fully seated before applying pressure.

Dimensions in inches.

Tips

Working pressure up to 450 bar (dependent

on body material and material into which installed).

Please consult technical pages for installation instructions and performance data.

Important Notes

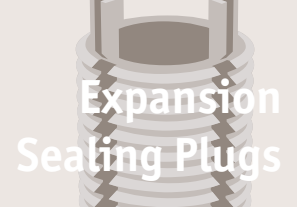
Please refer to technical pages for product installation details.

| Order No. | d ₁ | l ₁ | l ₂ | d ₂ +0.004 -0.000 | d ₃ max. | l ₃ min. | x +0.0 -0.010 | Body | Ball |
|-----------------|----------------|----------------|----------------|---------------------------------|------------------------|------------------------|------------------|----------|--------|
| SE0507.01-015-C | 0.1562 | 0.157 | 0.21 | 0.1562 | 0.130 | 0.150 | 0.010 | Steel ZP | Steel |
| SE0507.01-018-C | 0.1875 | 0.216 | 0.28 | 0.1875 | 0.160 | 0.209 | 0.010 | Steel ZP | Steel |
| SE0507.01-021-C | 0.2187 | 0.220 | 0.28 | 0.2187 | 0.190 | 0.208 | 0.010 | Steel ZP | Steel |
| SE0507.01-025-C | 0.2500 | 0.256 | 0.34 | 0.2500 | 0.220 | 0.248 | 0.010 | Steel ZP | Steel |
| SE0507.01-028-C | 0.2812 | 0.295 | 0.40 | 0.2812 | 0.250 | 0.287 | 0.010 | Steel ZP | Steel |
| SE0507.01-031-C | 0.3125 | 0.334 | 0.46 | 0.3125 | 0.281 | 0.327 | 0.010 | Steel ZP | Steel |
| SE0507.01-034-C | 0.3437 | 0.394 | 0.53 | 0.3437 | 0.312 | 0.385 | 0.010 | Steel ZP | Steel |
| SE0507.01-037-C | 0.3750 | 0.433 | 0.60 | 0.3750 | 0.343 | 0.425 | 0.010 | Steel ZP | Steel |
| SE0507.01-040-C | 0.4062 | 0.437 | 0.59 | 0.4062 | 0.375 | 0.425 | 0.010 | Steel ZP | Steel |
| SE0507.01-043-C | 0.4375 | 0.515 | 0.68 | 0.4375 | 0.406 | 0.503 | 0.010 | Steel ZP | Steel |
| SE0507.01-046-C | 0.4687 | 0.512 | 0.71 | 0.4687 | 0.437 | 0.504 | 0.010 | Steel ZP | Steel |
| SE0507.02-018-S | 0.1875 | 0.216 | 0.28 | 0.1875 | 0.160 | 0.209 | 0.010 | A2 s/s | A2 s/s |
| SE0507.02-021-S | 0.2187 | 0.220 | 0.28 | 0.2187 | 0.190 | 0.208 | 0.010 | A2 s/s | A2 s/s |
| SE0507.02-025-S | 0.2500 | 0.256 | 0.34 | 0.2500 | 0.220 | 0.248 | 0.010 | A2 s/s | A2 s/s |
| SE0507.02-028-S | 0.2812 | 0.295 | 0.40 | 0.2812 | 0.250 | 0.287 | 0.010 | A2 s/s | A2 s/s |
| SE0507.02-031-S | 0.3125 | 0.334 | 0.46 | 0.3125 | 0.281 | 0.327 | 0.010 | A2 s/s | A2 s/s |
| SE0507.02-034-S | 0.3437 | 0.394 | 0.53 | 0.3437 | 0.312 | 0.385 | 0.010 | A2 s/s | A2 s/s |
| SE0507.02-037-S | 0.3750 | 0.433 | 0.60 | 0.3750 | 0.343 | 0.425 | 0.010 | A2 s/s | A2 s/s |
| SE0507.02-040-S | 0.4062 | 0.437 | 0.59 | 0.4062 | 0.375 | 0.425 | 0.010 | A2 s/s | A2 s/s |
| SE0507.02-043-S | 0.4375 | 0.515 | 0.68 | 0.4375 | 0.406 | 0.503 | 0.010 | A2 s/s | A2 s/s |
| SE0507.02-046-S | 0.4687 | 0.512 | 0.71 | 0.4687 | 0.437 | 0.504 | 0.010 | A2 s/s | A2 s/s |
| SE0507.03-018-S | 0.1875 | 0.216 | 0.28 | 0.1875 | 0.160 | 0.209 | 0.010 | A4 s/s | A4 s/s |
| SE0507.03-021-S | 0.2187 | 0.220 | 0.28 | 0.2187 | 0.190 | 0.208 | 0.010 | A4 s/s | A4 s/s |
| SE0507.03-025-S | 0.2500 | 0.256 | 0.34 | 0.2500 | 0.220 | 0.248 | 0.010 | A4 s/s | A4 s/s |
| SE0507.03-028-S | 0.2812 | 0.295 | 0.40 | 0.2812 | 0.250 | 0.287 | 0.010 | A4 s/s | A4 s/s |
| SE0507.03-031-S | 0.3125 | 0.334 | 0.46 | 0.3125 | 0.281 | 0.327 | 0.010 | A4 s/s | A4 s/s |
| SE0507.03-034-S | 0.3437 | 0.394 | 0.53 | 0.3437 | 0.312 | 0.385 | 0.010 | A4 s/s | A4 s/s |
| SE0507.03-040-S | 0.4062 | 0.437 | 0.59 | 0.4062 | 0.375 | 0.425 | 0.010 | A4 s/s | A4 s/s |



Expansion Sealing Plugs - Inch

Inch - standard



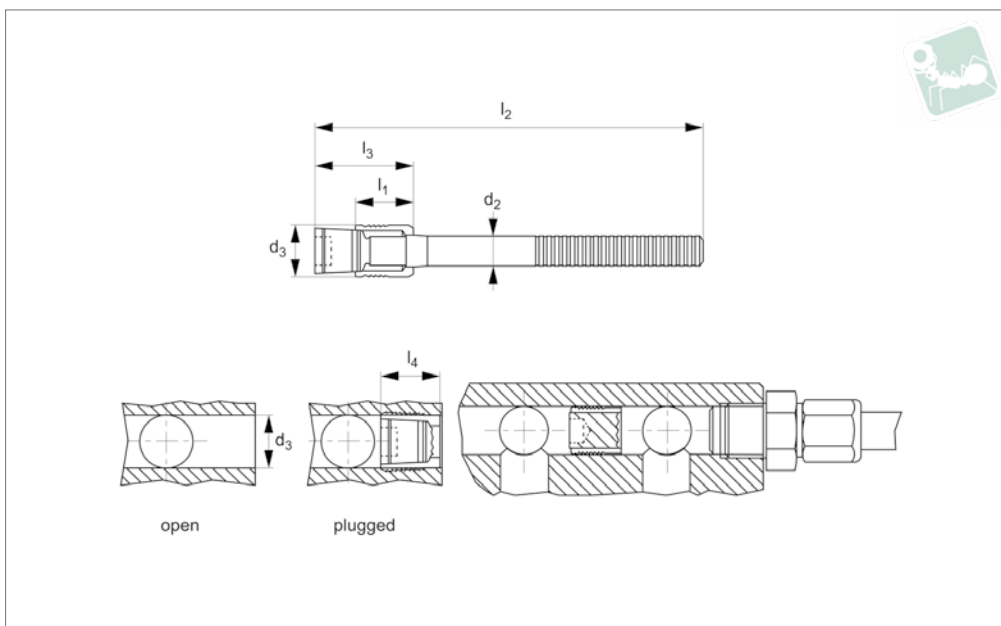
Expansion Sealing Plugs

| Order No. | d ₁ | l ₁ | l ₂ | d ₂ +0.004 -0.000 | d ₃ max. | l ₃ min. | x +0.0 -0.010 | Body | Ball |
|-----------------|----------------|----------------|----------------|---------------------------------|------------------------|------------------------|------------------|-----------|--------|
| SE0507.03-043-S | 0.4375 | 0.515 | 0.68 | 0.4375 | 0.406 | 0.503 | 0.010 | A4 s/s | A4 s/s |
| SE0507.03-046-S | 0.4687 | 0.512 | 0.71 | 0.4687 | 0.437 | 0.504 | 0.010 | A4 s/s | A4 s/s |
| SE0507.04-018-T | 0.1875 | 0.216 | 0.28 | 0.1875 | 0.160 | 0.209 | 0.010 | Aluminium | A2 s/s |
| SE0507.04-021-T | 0.2187 | 0.220 | 0.28 | 0.2187 | 0.190 | 0.208 | 0.010 | Aluminium | A2 s/s |
| SE0507.04-025-T | 0.2500 | 0.256 | 0.34 | 0.2500 | 0.220 | 0.248 | 0.010 | Aluminium | A2 s/s |
| SE0507.04-028-T | 0.2812 | 0.295 | 0.40 | 0.2812 | 0.250 | 0.287 | 0.010 | Aluminium | A2 s/s |
| SE0507.04-031-T | 0.3125 | 0.334 | 0.46 | 0.3125 | 0.281 | 0.327 | 0.010 | Aluminium | A2 s/s |
| SE0507.04-034-T | 0.3437 | 0.394 | 0.53 | 0.3437 | 0.312 | 0.385 | 0.010 | Aluminium | A2 s/s |
| SE0507.04-037-T | 0.3750 | 0.433 | 0.60 | 0.3750 | 0.343 | 0.425 | 0.010 | Aluminium | A2 s/s |
| SE0507.04-040-T | 0.4062 | 0.437 | 0.59 | 0.4062 | 0.375 | 0.425 | 0.010 | Aluminium | A2 s/s |
| SE0507.04-043-T | 0.4375 | 0.515 | 0.68 | 0.4375 | 0.406 | 0.503 | 0.010 | Aluminium | A2 s/s |
| SE0507.04-046-T | 0.4687 | 0.512 | 0.71 | 0.4687 | 0.437 | 0.504 | 0.010 | Aluminium | A2 s/s |

EXPANSION SEALING PLUGS



SE0520



Material

Sleeve: case-hardened steel, black oxide finish.

Mandrel: heat-treated steel, black oxide finish.

Technical Notes

These high pressure sealing plugs are used to blank off externally drilled holes for air and gas.

No need for tapping, reaming, machining

of O-ring grooves or the use of tapes or sealants.

Short version - with short mandrel.

Long version - with long mandrel.

Tips

Working pressure up to 450 bar (dependent on body material and material into which installed).

Pulling on the mandrel forces the plug insert into the plug body, expanding the

body out to grip on the channel walls.

At a set pressure the mandrel then breaks off and is removed with the plug remaining firmly set inside the bore.

Important Notes

Please refer to technical pages for product installation details.

| Order No. | d ₁ | d ₂ | d ₃ +0.12 -0.0 | l ₁ | l ₂ | l ₃ max. | l ₄ max. | Type |
|-----------------|----------------|----------------|------------------------------|----------------|----------------|------------------------|------------------------|-------|
| SE0520.01-040-C | 4.0 | 2.50 | 4.0 | 4.0 | 39 | 9.0 | 6.5 | Short |
| SE0520.01-050-C | 5.0 | 3.00 | 5.0 | 5.5 | 41 | 10.0 | 7.5 | Short |
| SE0520.01-060-C | 6.0 | 3.40 | 6.0 | 6.5 | 43 | 12.0 | 8.0 | Short |
| SE0520.01-080-C | 8.0 | 4.20 | 8.0 | 8.5 | 40 | 15.0 | 10.5 | Short |
| SE0520.01-090-C | 9.0 | 4.50 | 9.0 | 9.5 | 43 | 17.0 | 11.0 | Short |