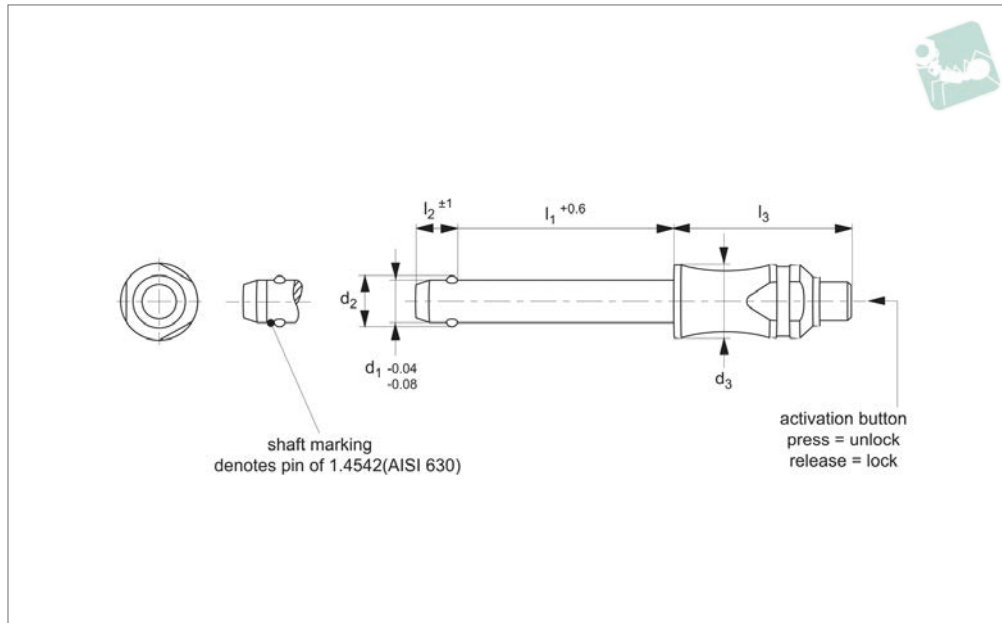




# Ball Lock Pins - Contoured Handle

self-locking - single acting - stainless 1.4305

## Quick Release Pins



**QR1604**

QUICK RELEASE PINS

### Material

Pin: stainless steel 1.4305 (AISI 303).  
Spring: stainless steel.

### Technical Notes

Pressing = unlocking.  
Releasing = locking.  
Single piece contoured design for limited space applications.

Temperature resistance up to 250°C.

For quick fastening and locking of frequently repeated connections.  
For suitable lanyards see part no. LA1066.  
W0970 and .W0974 only. Easy install locating bushes available see part no. LA1310.

### Tips

**Single piece design, no danger of parts coming away from pin - ideal for applications with F.O.B (Foreign Object Body) issues.**

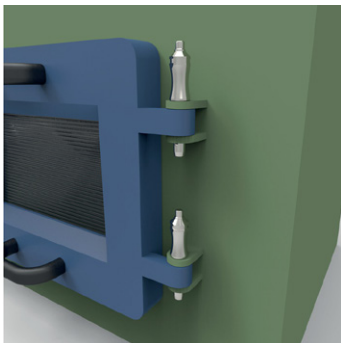
### Important Notes

\*Shearing resistance similar to DIN 50141.

Order No.	Material	d <sub>1</sub>	d <sub>2</sub>	d <sub>3</sub>	l <sub>1</sub>	l <sub>2</sub>	l <sub>3</sub>	Location hole dia. tol. H11	Shearing resistance, double kN min.	Weight g
QR1604.M05-010-S	Stainless 1.4305	5	5.5	10	10	6.0	26.2	5	14	10
QR1604.M05-015-S	Stainless 1.4305	5	5.5	10	15	6.0	26.2	5	14	11
QR1604.M05-020-S	Stainless 1.4305	5	5.5	10	20	6.0	26.2	5	14	12
QR1604.M05-025-S	Stainless 1.4305	5	5.5	10	25	6.0	26.2	5	14	13
QR1604.M05-030-S	Stainless 1.4305	5	5.5	10	30	6.0	26.2	5	14	13
QR1604.M06-010-S	Stainless 1.4305	6	7.0	10	10	7.0	26.2	6	21	11
QR1604.M06-015-S	Stainless 1.4305	6	7.0	10	15	7.0	26.2	6	21	12
QR1604.M06-020-S	Stainless 1.4305	6	7.0	10	20	7.0	26.2	6	21	13
QR1604.M06-025-S	Stainless 1.4305	6	7.0	10	25	7.0	26.2	6	21	14
QR1604.M06-030-S	Stainless 1.4305	6	7.0	10	30	7.0	26.2	6	21	15
QR1604.M06-035-S	Stainless 1.4305	6	7.0	10	35	7.0	26.2	6	21	16
QR1604.M06-040-S	Stainless 1.4305	6	7.0	10	40	7.0	26.2	6	21	17
QR1604.M06-045-S	Stainless 1.4305	6	7.0	10	45	7.0	26.2	6	21	18
QR1604.M06-050-S	Stainless 1.4305	6	7.0	10	50	7.0	26.2	6	21	19
QR1604.M08-020-S	Stainless 1.4305	8	9.6	14	20	8.2	33.1	8	38	33
QR1604.M08-025-S	Stainless 1.4305	8	9.6	14	25	8.2	33.1	8	38	34
QR1604.M08-030-S	Stainless 1.4305	8	9.6	14	30	8.2	33.1	8	38	36
QR1604.M08-035-S	Stainless 1.4305	8	9.6	14	35	8.2	33.1	8	38	38
QR1604.M08-040-S	Stainless 1.4305	8	9.6	14	40	8.2	33.1	8	38	40
QR1604.M08-045-S	Stainless 1.4305	8	9.6	14	45	8.2	33.1	8	38	42
QR1604.M08-050-S	Stainless 1.4305	8	9.6	14	50	8.2	33.1	8	38	44
QR1604.M10-020-S	Stainless 1.4305	10	12.0	14	20	9.6	33.1	10	60	39
QR1604.M10-025-S	Stainless 1.4305	10	12.0	14	25	9.6	33.1	10	60	42
QR1604.M10-030-S	Stainless 1.4305	10	12.0	14	30	9.6	33.1	10	60	45
QR1604.M10-035-S	Stainless 1.4305	10	12.0	14	35	9.6	33.1	10	60	48
QR1604.M10-040-S	Stainless 1.4305	10	12.0	14	40	9.6	33.1	10	60	51
QR1604.M10-045-S	Stainless 1.4305	10	12.0	14	45	9.6	33.1	10	60	54
QR1604.M10-050-S	Stainless 1.4305	10	12.0	14	50	9.6	33.1	10	60	57



Order No.	Material	d <sub>1</sub>	d <sub>2</sub>	d <sub>3</sub>	l <sub>1</sub>	l <sub>2</sub>	l <sub>3</sub>	Location hole dia. tol. H11	Shearing resistance, double kN min.	Weight g
QR1604.M10-060-S	Stainless 1.4305	10	12.0	14	60	9.6	33.1	10	60	63
QR1604.M12-025-S	Stainless 1.4305	12	14.5	20	25	10.6	39.5	12	87	84
QR1604.M12-030-S	Stainless 1.4305	12	14.5	20	30	10.6	39.5	12	87	88
QR1604.M12-035-S	Stainless 1.4305	12	14.5	20	35	10.6	39.5	12	87	92
QR1604.M12-040-S	Stainless 1.4305	12	14.5	20	40	10.6	39.5	12	87	96
QR1604.M12-045-S	Stainless 1.4305	12	14.5	20	45	10.6	39.5	12	87	101
QR1604.M12-050-S	Stainless 1.4305	12	14.5	20	50	10.6	39.5	12	87	105
QR1604.M12-060-S	Stainless 1.4305	12	14.5	20	60	10.6	39.5	12	87	113
QR1604.M12-070-S	Stainless 1.4305	12	14.5	20	70	10.6	39.5	12	87	122
QR1604.M12-080-S	Stainless 1.4305	12	14.5	20	80	10.6	39.5	12	87	130
QR1604.M16-030-S	Stainless 1.4305	16	19.0	20	30	14.0	39.5	16	155	120
QR1604.M16-035-S	Stainless 1.4305	16	19.0	20	35	14.0	39.5	16	155	127
QR1604.M16-040-S	Stainless 1.4305	16	19.0	20	40	14.0	39.5	16	155	135
QR1604.M16-045-S	Stainless 1.4305	16	19.0	20	45	14.0	39.5	16	155	143
QR1604.M16-050-S	Stainless 1.4305	16	19.0	20	50	14.0	39.5	16	155	150
QR1604.M16-060-S	Stainless 1.4305	16	19.0	20	60	14.0	39.5	16	155	166
QR1604.M16-070-S	Stainless 1.4305	16	19.0	20	70	14.0	39.5	16	155	181
QR1604.M16-080-S	Stainless 1.4305	16	19.0	20	80	14.0	39.5	16	155	196
QR1604.M20-060-S	Stainless 1.4305	20	25.0	28	60	20.5	49.9	20	244	322
QR1604.M20-080-S	Stainless 1.4305	20	25.0	28	80	20.5	49.9	20	244	370
QR1604.M20-100-S	Stainless 1.4305	20	25.0	28	100	20.5	49.9	20	244	414
QR1604.M20-120-S	Stainless 1.4305	20	25.0	28	120	20.5	49.9	20	244	466





# Wixroyd Ball Lock Pins

applications

## 33060 - 33250

Positioning Elements

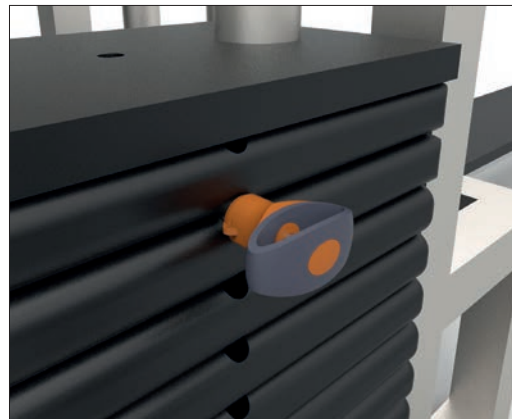
### Sound Rigging Systems

Ball lock pins on a sound rigging system. Offering secure fixing with high shear forces and easy fitting for operators at heights.

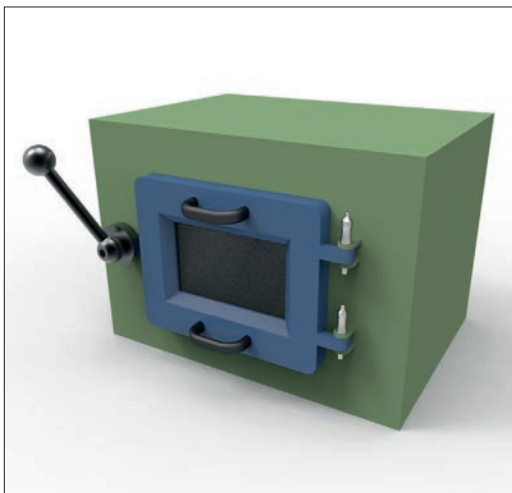
In addition full black powder coating of grip and actuation button eliminates glare from other stage lighting.



### Gym Equipment



### Scientific and Medical



QUICK RELEASE PINS

ov-W33060.BK-A-TOR1706-W33250-A-TLA1066-a-rmh - Updated - 27-10-2022



**Pin Material**

1.4305 (AISI 303) - shear force approx. 60% of higher material version 1.4542

1.4542 (AISI 630) - identified by the ridge on the pin

CRES 17-4PH (AMS 5643) aviation standard



**Handle Style**



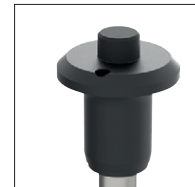
Plastic tri-star



T-handled, metal



L-handled, metal



Mushroom, metal



Single piece metal, contoured



Special plastic self-spring



Adjustable grip length, plastic



Key ring



Safety, metal



Mushroom Type B aviation



Type R aviation

**Lanyards and Locating Bushes**



Stainless wire - (coated) - 2 x key ring



Stainless wire - Key ring and fixing loop



Plastic - 2 x cable tie



Steel wire - (coated) - 2 x key ring



Stainless bead chain - 2 x key ring

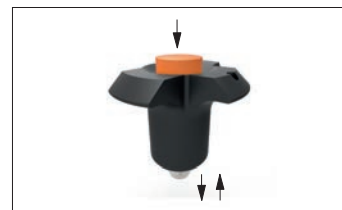


Locating bushes

**Actuation**



Press = unlock  
Release = lock (standard)



Press = unlock and position  
Release = lock and simultaneous clamp



Simple spring loaded balls "pullout pin"

**Important Note**

**Important Note: Ball lock pins are not suited to lifting applications!**  
For quick release lifting pins, see part 33400.



Shear force



Lifting force

**Special Variations**

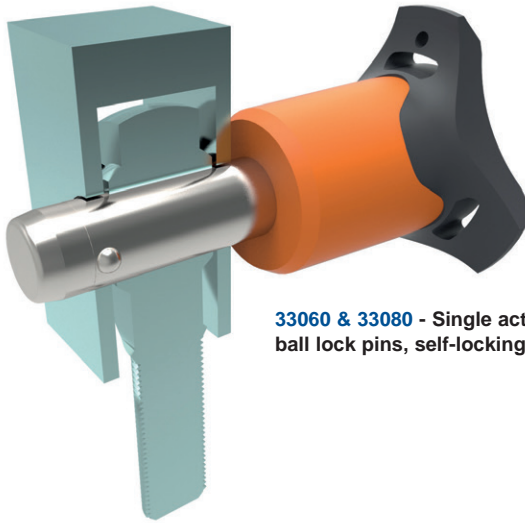


Variations on our standard designs are possible, please contact our sales team for technical assistance. Quick production on specials can be as little as 3 weeks.



### Applications

- Positioning.
- Lifting.
- Locking.
- Indexing.
- Joining.



**33060 & 33080** - Single acting ball lock pins, self-locking.



**33194** - Single acting ball lock pins, self locking, simple finish.



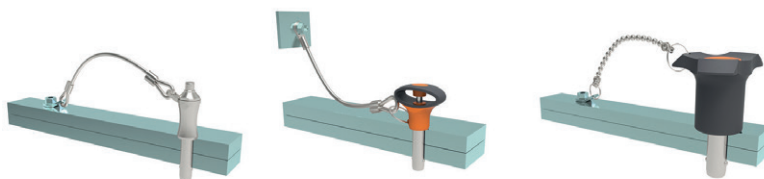
**33140** - Socket pins, non-locking, spring loaded balls.



**33100** - Single acting ball lock pin, self locking.



**33180** - Clamping pins, with span compensation, self-locking.



**33250 & 33270** - Lanyards.



**33220** - Ball lock pins, single acting - L-handle