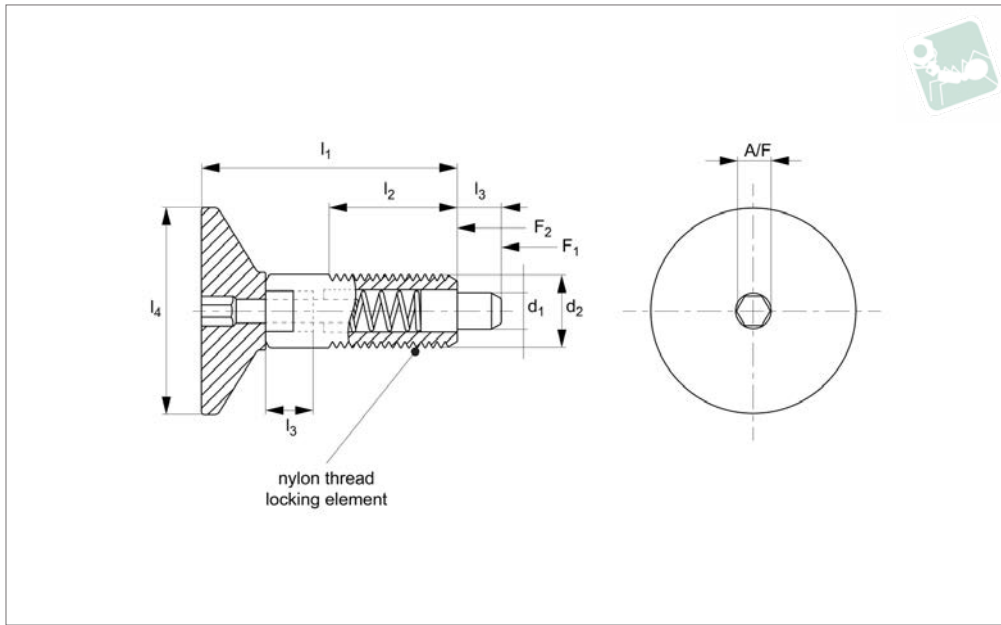




Spring Loaded Pin - Inch - Pull Grip

locking - metal grip

Spring Loaded Pins



SL1419

SPRING LOADED PINS

Material

Body, Pin and Grip: Steel 12L14, zinc gold chromate finish.

Technical Notes

Spring loaded pin can be 'locked' to enable

pin to be held in retracted/ non-projecting position. Pull back grip handle turn 90° to engage 'locking'.

A nylon locking element on thread reduces chance of loosening of thread due to vibra-

tion etc.

Tips

Metal grip has recessed hex to improve ease of installation.

For suitable locknut, see part no. SL1816.

Order No.	Material	d ₁	d ₂ UNC	l ₁	l ₂	l ₃	l ₄	A/F	Spring force f ₁ lb	Spring force f ₂ lb
SL1419.I25-012-Z	Steel	0.123	1/4-20	0.805	0.40	0.125	0.750	0.125	1	4
SL1419.I31-015-Z	Steel	0.154	5/16-18	1.070	0.53	0.187	0.875	0.125	1	6
SL1419.I37-018-Z	Steel	0.185	3/8-16	1.260	0.75	0.220	1.000	0.218	1	8
SL1419.I50-024-Z	Steel	0.248	1/2-13	1.380	0.65	0.250	1.250	0.250	1	10